

# MG Series Desiccant Dehumidifier



## Product Description

The MG90 desiccant dehumidifier is designed to efficiently dehumidify air. Its very compact construction incorporates sections held together by four bolts. The fan, desiccant rotor and reactivation heater are secured in fixed positions within their respective sections without utilizing additional attachments. One of the sections contains a distribution chamber with isolated sections that provide a precise balance for dehumidification and reactivation airflows. Its rugged casing is constructed from corrosion resistant die cast aluminium. The electrical control system conforms to EN 60204 (IEC204) standards and the electrical components are assembled in the upper compartment. MG Series dehumidifiers conform to both harmonised European Standards and to CE marking specifications.

## Munters Rotor Technology

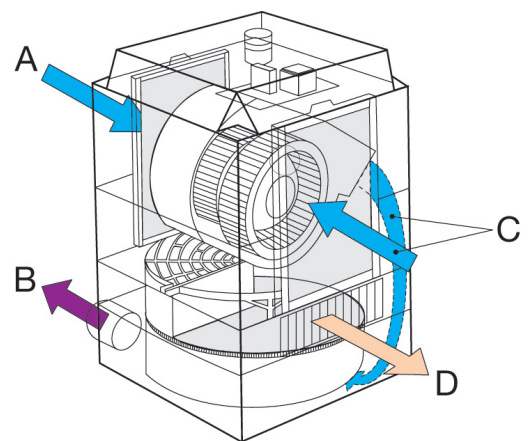
The desiccant rotor is manufactured from a corrugated composite material that is highly effective at attracting and holding water vapour. Every Munters dehumidifier applies a unique rotor technology. Airflows, air conditions, rotor sections, and rotor rotation speeds are optimised for specific applications. An innovative control system maximises the units energy efficiency. A characteristic of the MG Series rotor technology is an efficient air distribution chamber which divides the sectors and balances the dehumidification and reactivation airflows.

## PRODUCT INFORMATION

### MG90

#### Features

- Low weight –easy to carry
- High efficiency down to -20°C
- Robust and shock proof
- Easy to service
- Wall mounted possible
- Humidistat socket

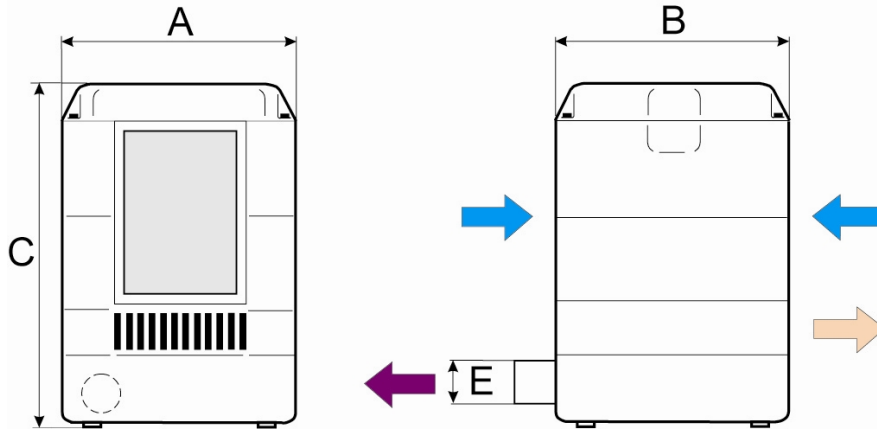


- A. Reactivation air
- B. Wet air
- C. Process air
- D. Dry air

## Model MG90

Diagram measurements are for reference only.

Scaled and dimensioned AutoCAD drawings are available from Munters.



Width (A)	Depth (B)	Height (C)	Diam. (E)	Weight
275 mm	275 mm	388 mm	48 mm	10 kg

## Technical Specification

### Process Air

Freeblowing at 50Hz (m <sup>3</sup> /h)	110
Freeblowing at 60Hz (m <sup>3</sup> /h)	120
Rated airflow (m <sup>3</sup> /h)	90
Available static pressure 50Hz (Pa)	100
Available static pressure 60Hz (Pa)	120

### Reactivation air

Rated airflow (m <sup>3</sup> /h)	20
Available static pressure (Pa)	100

### Total power,

#### voltage and current (amps/phase)

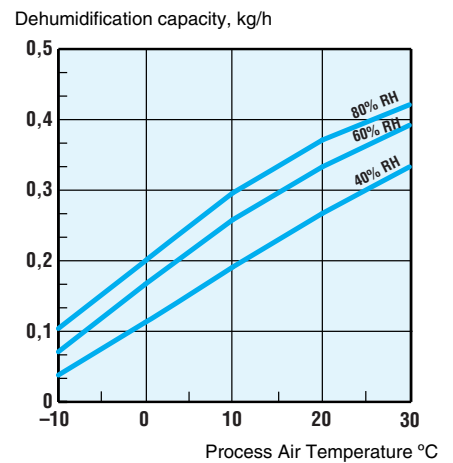
Total power(kW)	0,740
115V 1-50/60Hz (A)	6,5
200V 1-50/60Hz (A)	3,7
230V 1-50/60Hz (A)	3,2
240V 1-50/60Hz (A)	3,1

### Miscellaneous Data

Operating temperature (°C)	-20/+40
Max. noise level, all ducts connected (dba)	56
Air filter standard	G3
IEC protective class (unit)	IP44
IEC protective class (electrical panel)	IP54

## Dehumidification Capacity

Approximate capacity in kg/h at different inlet process air relative humidity, % RH.



## Options

MG Series dehumidifiers are always delivered complete with hose for wet air.

- Accessory kit including:
  - Connection pieces for process air and reactivation air
  - Connection piece for dry air
  - Wall bushing
- Wall bracket
- Electromechanical humidistat RH4000
- Humidistat RH15

**AUSTRALIA**  
Tel +61 2 8843 1588  
**CHINA**  
Tel +86 10 804 18000  
**INDIA**  
Tel +91 20 668 18 900  
**NETHERLANDS**  
Tel +31 172 43 32 31  
**SWEDEN**  
Tel +46 8-626 6300  
**UNITED KINGDOM**  
Tel +44 1480 432 243

**AUSTRIA**  
Tel +43 1 6164298-0  
**DENMARK**  
Tel +45 4495 3355  
**ITALY**  
Tel +39 0183 521377  
**POLAND**  
Tel +48 58 305 35 17  
**SWITZERLAND**  
Tel +41 52 3438886  
**UNITED STATES**  
Tel +1 978 241 1100

**BELGIUM**  
Tel +32 2 240 68 68  
**FINLAND**  
Tel +358 20 776 8230  
**JAPAN**  
Tel +81 3 5970 0021  
**SINGAPORE**  
Tel +65 6744 6828  
**THAILAND**  
Tel +66 2 642 2670-3  
**VIETNAM**  
Tel +84 8 825 6838

**BRAZIL**  
Tel +55 41 3317 5050  
**FRANCE**  
Tel +33 1 3411 5757  
**KOREA**  
Tel +82 2 761 8701  
**SOUTH AFRICA**  
Tel +27 11 997 2000  
**TURKEY**  
Tel +90 262 751 3750

**CANADA**  
Tel +1 905 8585894  
**GERMANY**  
Tel +49 40-879690-0  
**MEXICO**  
Tel +1 52 722 270-4029  
**SPAIN**  
Tel +34 91 640 09 02  
**UNIT. ARAB EMIRATES**  
Tel +971 4 8809295

www.munters.com

