

# MK Series

## Mobile Cooling dehumidifiers



### Cooling dehumidifiers with digital display

Modern technology can only be accomplished with the help of digital components. Consequently Munters MK-series, utilizing a built-in RH/T sensor in combination with the digital multifunctional display, guarantees intelligent as well as cost effective dehumidification.

Their most suitable area of use is within the water and fire damage restoration business as well as the construction industry. Of course they also protect pipes and fittings from corrosion and condensate in waterworks. They can also be used reducing relative humidity in storage rooms, cellars, archives and other limited storage spaces. The dehumidifiers are equipped with adjustable handles to increase flexibility. For higher mobility as well as protection of inventory bumpers and wheels are covered with rubber. Accessories like drainage pump, external hygrometer and wall brackets put the finishing touch to the Munters MK dehumidifiers.

The dehumidification as such takes place in the cooling coil (evaporator) of the dehumidifier following the principle of a water trap. An axial fan pulls ambient air through a coil cooling the air below dew point. Water condensates and is collected in a water tank or a drainage hose. The cooled and dehumidified air is pulled further through a heating coil (condenser) and regains its heat. The additional heat of the compressor results in a slight increase of temperature. By recirculating the air the dehumidification happens fast, effective and careful.

### PRODUCT INFORMATION

## MK45D

### Features

- Robust construction
- Digital multifunctional display
- High mobility
- High dehumidification capacity
- Built-in RH/T sensor for hygrometer function
- Environmentally friendly refrigerant R407C
- Automatic defrost cycle using hotgas bypass
- Maintenance and service friendly design



# Model MK45D

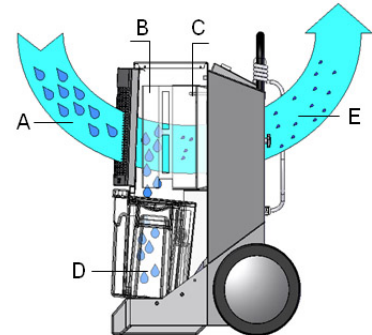
## Technical Specification

### MK

Drying capacity:	
Moisture removal; 30°C, 80% (kg/24h)	39,0
Moisture removal; 20°C, 60% (kg/24h)	22,0
Moisture removal; 10°C, 70% (kg/24h)	9,6
Operational ranges:	
Relative humidity (%)	40-100
Temperature (°C)	3-33
Rated voltage (V/Hz)	230/50
Rated current (A)	3,6
Rated power (W)	810
Energy consumption 30°C, 80% (kWh/kg)	0,50
Air delivery (m <sup>3</sup> /h)	350
Refrigerant type	R407C
Refrigerant mass (g)	450
Water tank capacity (l)	14
Dimensions (incl. handle):	
Width (mm)	530
Depth (mm)	539
Height (mm)	822
Weight (kg)	43
Noise level max (dB, A)	59
Protection class (IP)	X4
Cable Length (m)	3,5

## Schematic picture

- A: Ambient air
- B: Evaporator
- C: Condenser
- D: Water tank
- E: Dehumidified air



## Performance

- Mobile
- Flexible
- Robust
- Automatic defrost (hotgas bypass)
- Digital multifunctional display
- Hour meter
- External signal for Operation and Alarm
- Socket for external hygrostat
- Water tank
- 3.5 m cable length

### Options

- Drainage pump installed in water tank
- External Hygrostat
- Wall brackets

**AUSTRALIA**  
Tel +61 2 8843 1588  
**CHINA**  
Tel +86 10 804 18000  
**INDIA**  
Tel +91 20 668 18 900  
**NETHERLANDS**  
Tel +31 172 43 32 31  
**SWEDEN**  
Tel +46 8-626 6300  
**UNITED KINGDOM**  
Tel +44 1480 432 243

**AUSTRIA**  
Tel +43 1 6164298-0  
**DENMARK**  
Tel +45 4495 3355  
**ITALY**  
Tel +39 0183 521377  
**POLAND**  
Tel +48 58 305 35 17  
**SWITZERLAND**  
Tel +41 52 3438886  
**UNITED STATES**  
Tel +1 978 241 1100

**BELGIUM**  
Tel +32 2 240 68 68  
**FINLAND**  
Tel +358 20 776 8230  
**JAPAN**  
Tel +81 3 5970 0021  
**SINGAPORE**  
Tel +65 6744 6828  
**THAILAND**  
Tel +66 2 642 2670-3  
**VIETNAM**  
Tel +84 8 825 6838

**BRAZIL**  
Tel +55 41 3317 5050  
**FRANCE**  
Tel +33 1 3411 5757  
**KOREA**  
Tel +82 2 761 8701  
**SOUTH AFRICA**  
Tel +27 11 997 2000  
**TURKEY**  
Tel +90 262 751 3750

**CANADA**  
Tel +1 905 8585894  
**GERMANY**  
Tel +49 40-879690-0  
**MEXICO**  
Tel +1 52 722 270-4029  
**SPAIN**  
Tel +34 91 640 09 02  
**UNIT. ARAB EMIRATES**  
Tel +971 4 8809295

www.munters.com

